

GEM-24G Series

1Watt Outdoor Bi-Directional Amplifier

Features

- TX Power Output 1W Avg, 2W Peak
- 802.11b,g compatible
- Low Receive Noise Figure
- Active Power Control
- Includes DC Injector
- Durable UV-Stable finish
- Internal Lightning Protection
- N-Female Connectors

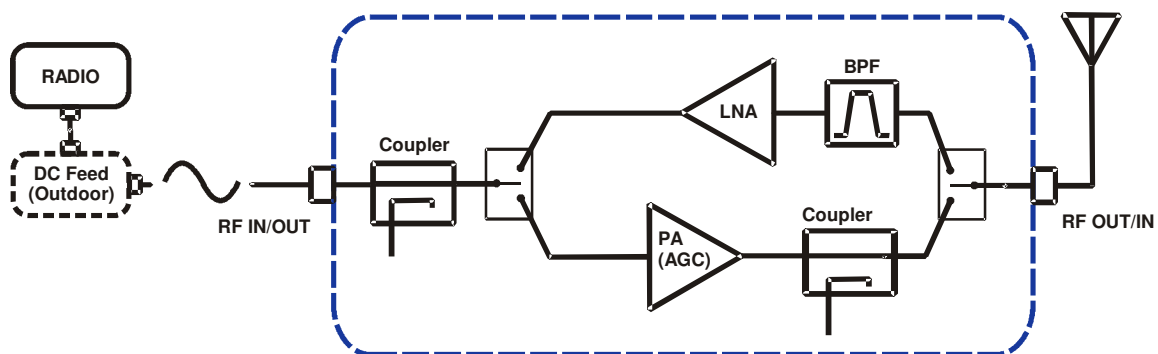
Picture



Description

GEM-24G1AODA Bi-Directional Amplifier will significantly improve link reliability and operating range by providing Low Noise Amplification during Receive, and Spectrally Clean Power Amplification during Transmit. Designed for use with existing wireless radio equipment, 802.11b,g AM/FM or video products where higher power is required. The saturated output power is 2Watts. GEM Microwave's Active Power Control circuit automatically adjust the amplifier's gain to provide a constant output power regardless of the cable length. The unit can be configured to deliver the full transmit power with as little as 4mW of input power, permitting cable runs several tens of meters with no degradation in operating range. The *GEM-24G1AODA* features weather-proof construction and large heat sink to ensure years of reliable operation in the harshest environments. Included with the outdoor models, the DC Power Injector provides power to the amplifier through the antenna cable, simplifying installation. Current-sensing circuit provide remote amplifier diagnostic LEDs. In addition, this unit provides effective lightning protection with multi-strike capability.

GEM-24G1AODA BLOCK DIAGRAM





GEM-24G1AODA

www.GemMicrowave.com

GEM-24G Series

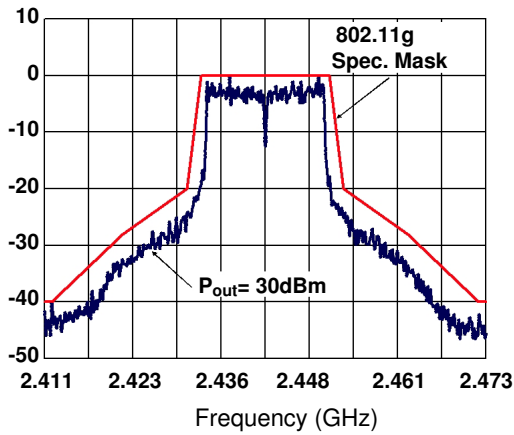
1Watt Outdoor Bi-Directional Amplifier

Electrical Specifications

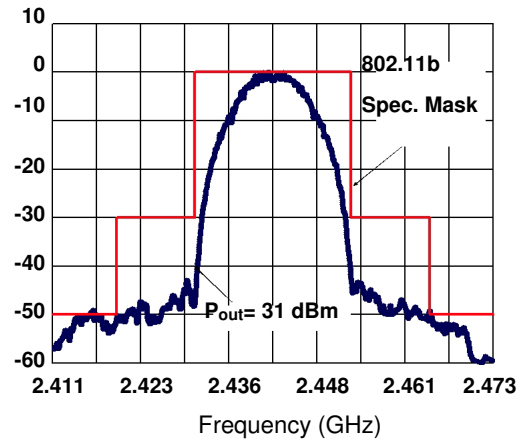
Parameter	Unit	Minimum	Typical	Maximum
Frequency Range	GHz	2.4		2.5
Operating Mode (Note1)		TDD, Time Division duplex		
Receive Gain	dB		12	
Receive Noise figure	dB			2
Transmit Input RF Power	mW	4		100
Transmit Gain		Automatically adjusted		
Gain flatness over band	dB		±0.3	
Average Transmit RF Power	mW		1000 (+30dBm)	
Peak Transmit RF Power	mW		2000 (+33dBm)	
RX to TX switching time	µs			0.2
DC Power Supply	V	8		12
Receive supply current	mA		120	
Transmit supply current	mA	550	1000	1200
Average supply current (Note 2)	mA	180	220	330
Lightning Supression		1/4 wavelength short		
DC supply overvoltage-protection		TVS diode		
Operating Temperature	°C	-40		+60

Note 1: This GEM Microwave bi-directional amplifier is designed for burst half-duplex operation. It is not intended for constant transmit or CW operation. Operation of the amplifier in CW mode will damage the amplifier and void the warranty.

Note 2: Bi-directional operation, using 802.11g Orthogonal Frequency Division Multiplexing Input Signal, Data Rate = 54 Mbps.



**Output Spectrum Response for 802.11g,
Power Out = 30 dBm**



**Output Spectrum Response for 802.11b
CCK-Coded, Power Out = 31 dBm**

Absolute Maximum Ratings

Parameter	Absolute Maximum
RF Input Power	+23dBm (200mW)
Supply Voltage	+14V
Operating Temperature	-40 °C to +70 °C
Storage Temperature	-55 °C to +100 °C



GEM-24G1AODA

www.GemMicrowave.com

GEM-24G Series

1Watt Outdoor Bi-Directional Amplifier

Mechanical Specifications

Parameter	Unit	
RF Connectors		N-female
Chassis		Steel with hot tin-plating, rugged white coat finish
Dimensions	mm	110 x 40 x 75
Weight	Kg	0.25

Guaranteed Quality

24G Series is designed and manufactured by GEM Microwave and is backed by GEM Microwave's Limited Warranty.